

1 2 3 4 5 6 7 8

A A

B B

C C

D D

E E

F F

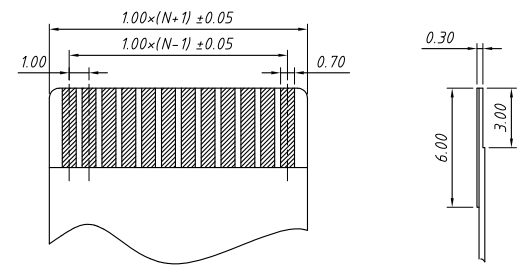
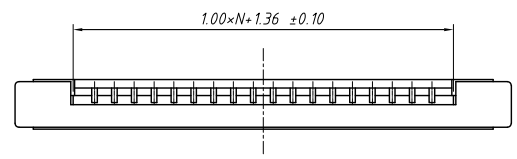
G G

H H

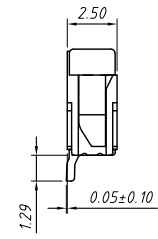
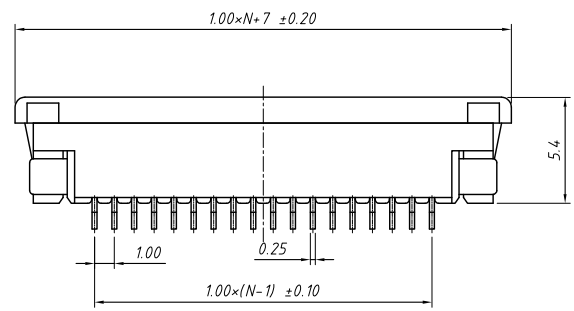
Material
Housing:LCP, UL 94 V-0

Electrical
Voltage rating: 50 V
Current rating: 0.4 A
Withstanding Voltage: 200 V
Insulation resistance: 500MΩ.Min.
Contact resistance: 20 mΩ.max.

Mechanical
Temp. Range: -20 °C ~ + 80 °C

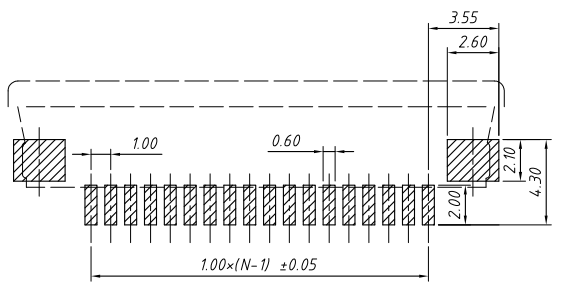
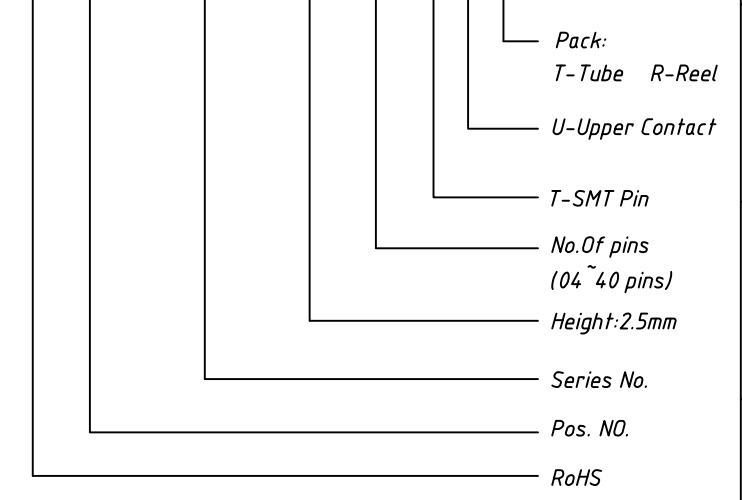


Proper Cable



Order Information


L-KLS1- 1240N - 2.5- XX -T-U-R



PCB Layout

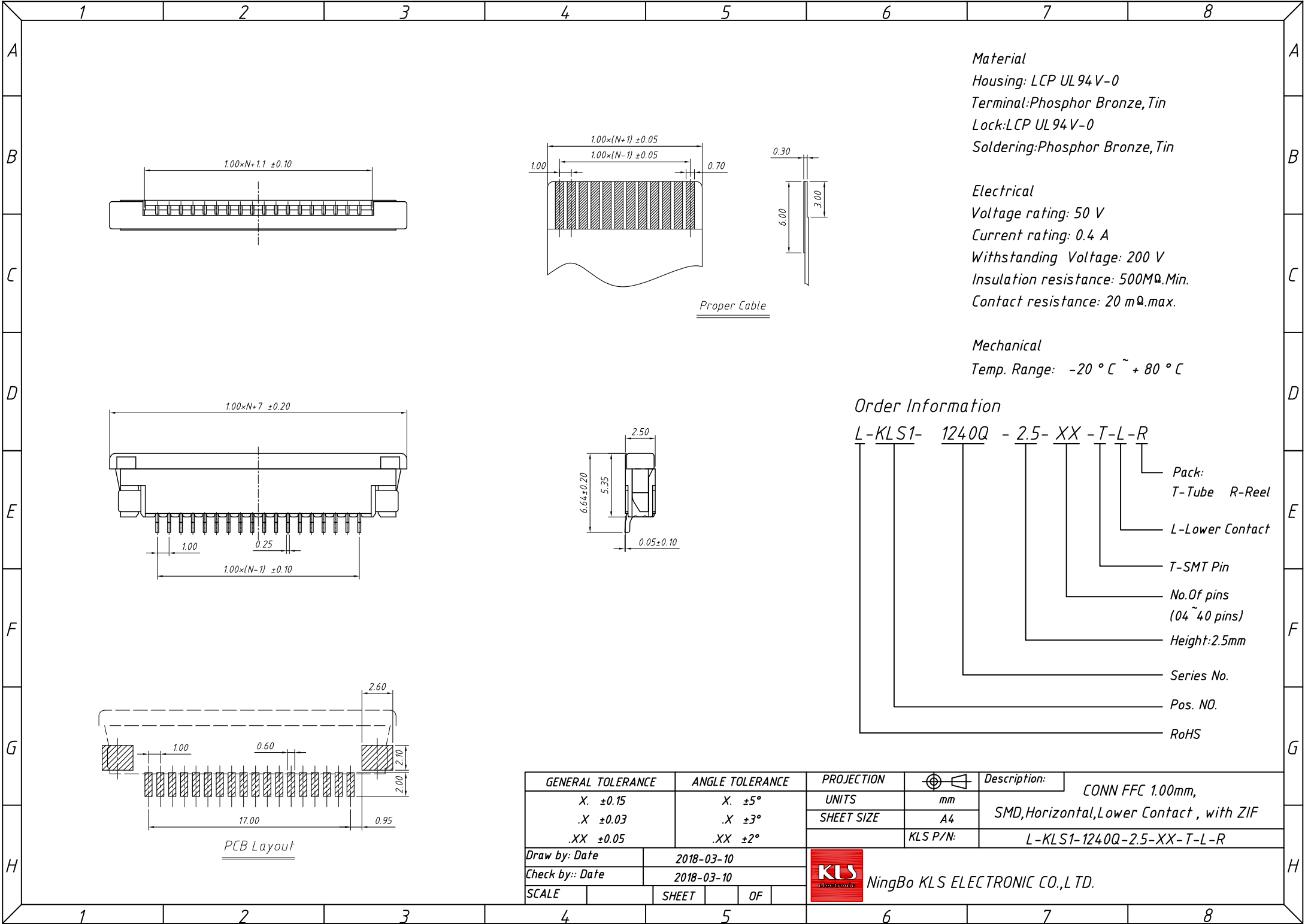
GENERAL TOLERANCE	ANGLE TOLERANCE	PROJECTION	Description:
X. ±0.15	X. ±5°	UNITS	CONN FFC 1.00mm, SMD,Horizontal, Upper Contact ,with ZIF L-KLS1-1240N-2.5-XX-T-U-R
.X ±0.03	.X ±3°	SHEET SIZE	
.XX ±0.05	.XX ±2°	KLS P/N:	

Draw by: Date	2018-03-10
Check by: Date	2018-03-10
SCALE	SHEET OF



NingBo KLS ELECTRONIC CO.,L TD.

1 2 3 4 5 6 7 8

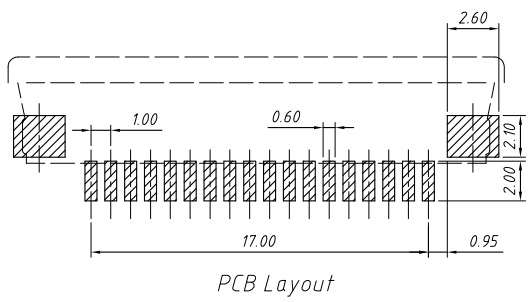
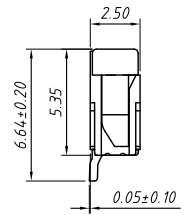
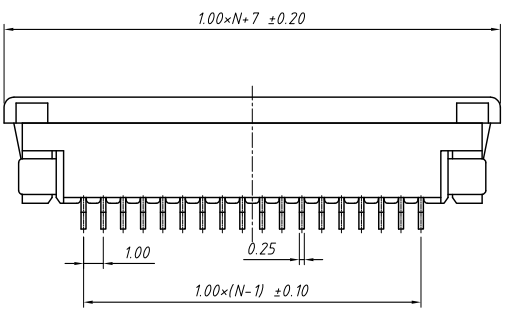
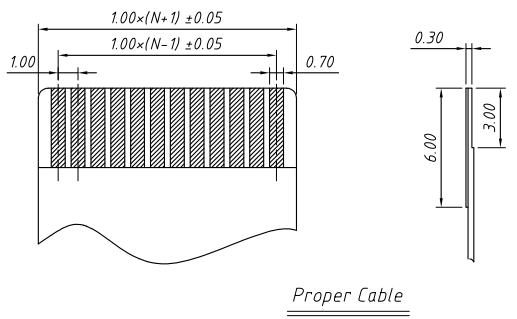
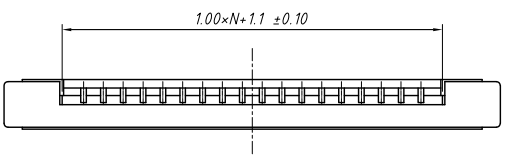
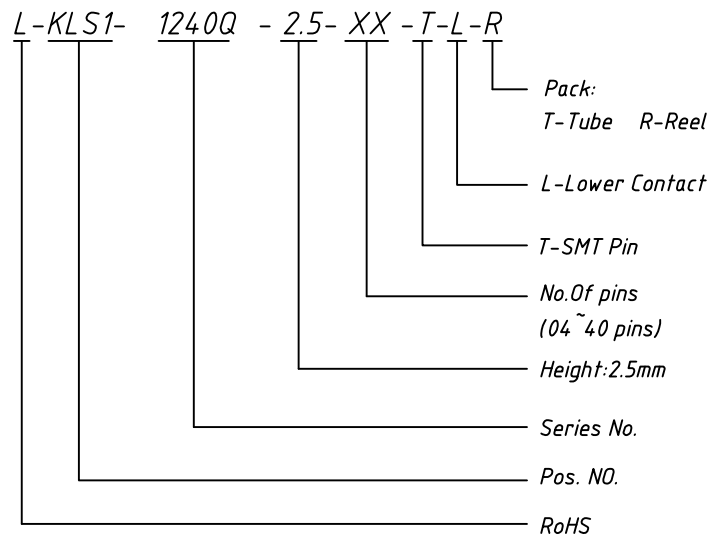


Material
Housing: LCP UL 94V-0
Terminal: Phosphor Bronze, Tin
Lock: LCP UL 94V-0
Soldering: Phosphor Bronze, Tin

Electrical
Voltage rating: 50 V
Current rating: 0.4 A
Withstanding Voltage: 200 V
Insulation resistance: 500MΩ.Min.
Contact resistance: 20 mΩ.max.

Mechanical
Temp. Range: -20 °C ~ + 80 °C

Order Information



GENERAL TOLERANCE	ANGLE TOLERANCE	PROJECTION	Description:
X. ±0.15	X. ±5°	UNITS	CONN FFC 1.00mm, SMD,Horizontal,Lower Contact , with ZIF
.X ±0.03	.X ±3°	SHEET SIZE	
.XX ±0.05	.XX ±2°	KLS P/N:	

Draw by: Date	2018-03-10
Check by: Date	2018-03-10
SCALE	SHEET OF

KLS
NingBo KLS ELECTRONIC CO.,L TD.